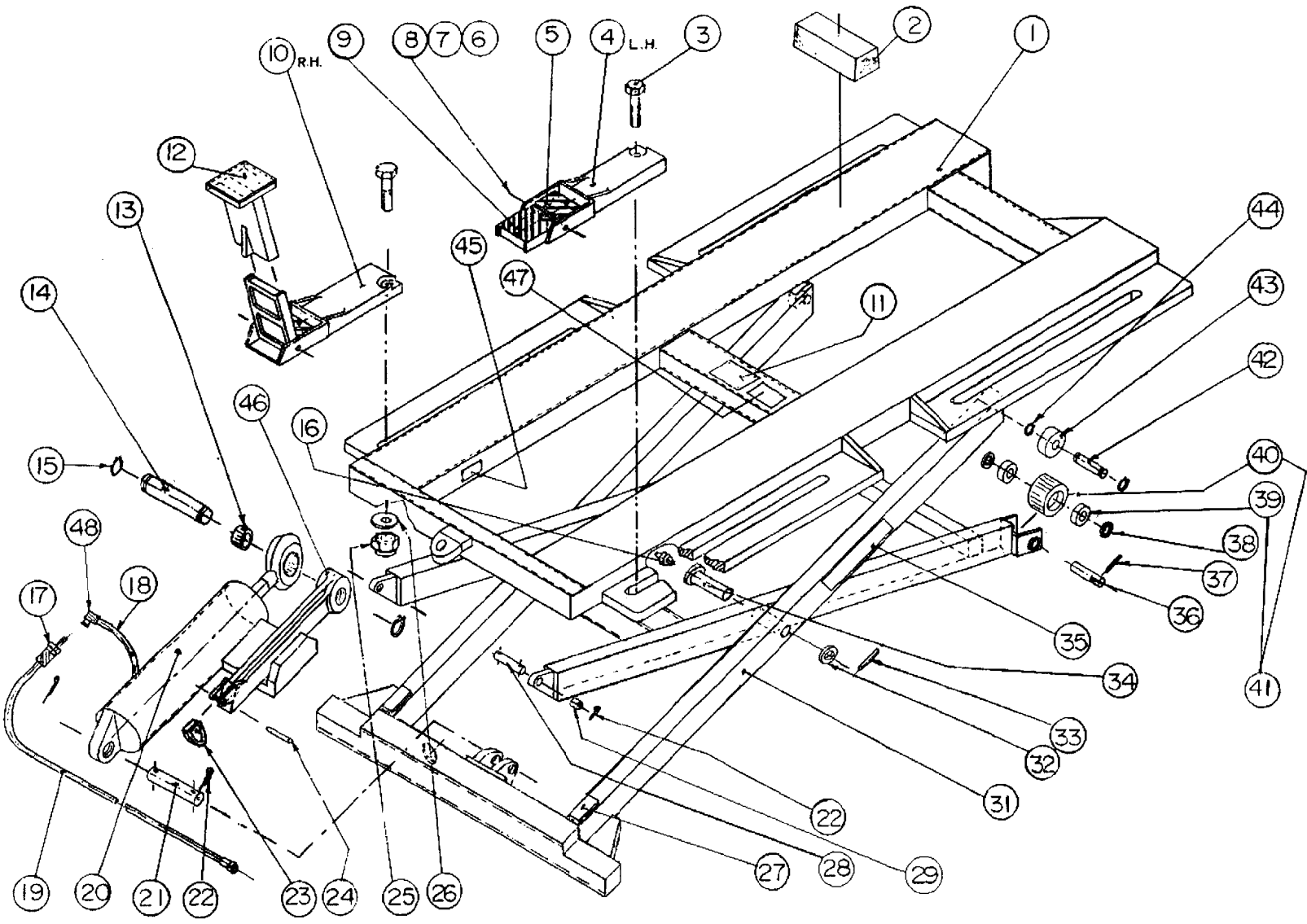


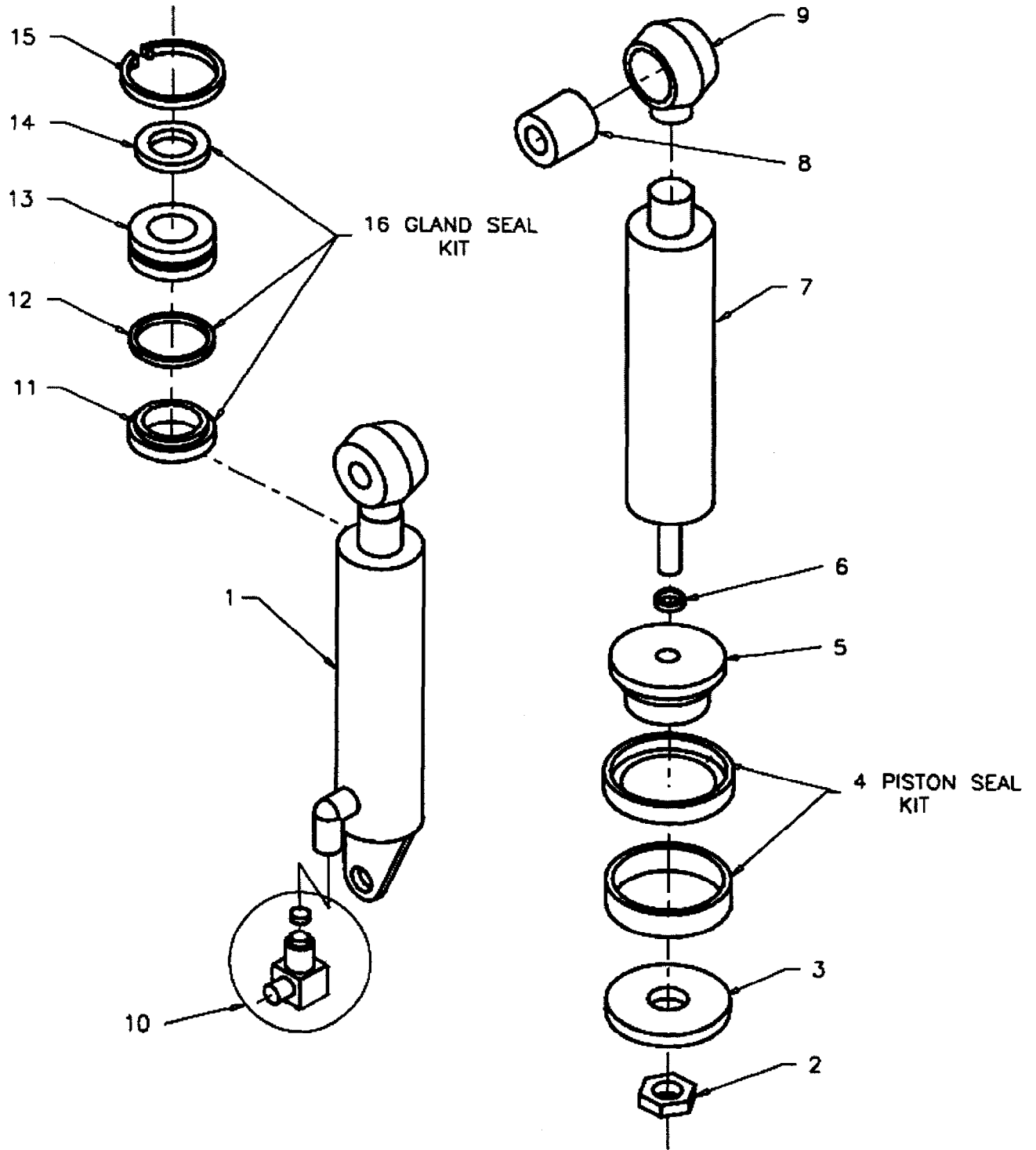
MID-RISE MAIN FRAME ASSEMBLY



## MID-RISE MAIN FRAME ASSEMBLY - PARTS LIST

ITEM NO.	QTY.	DESCRIPTION	PART NO.
1	1	TOP RAMP ASSEMBLY	4-0200
2	4	RUBBER BLOCK	6-1074
3	4	ARM BOLT	1-1076
4	2	ARM ASSEMBLY L.H.	2-0835
5	4	LOW ADAPTER	2-0532
6	4	CENTER PIN	1-0841
7	4	FLAT WASHER 1/2" I.D.	6-0063
8	4	COTTER PIN 1/8" X 1" LG.	6-0267
9	4	HIGH STEP ADAPTER	3-0342
10	2	ARM ASSEMBLY R.H.	2-0834
11	1	SERIAL PLATE	6-0763
12	2	TRUCK PAD ADAPTER (OPTIONAL)	2-0603
13	1	BUSHING	6-0976
14	1	SHAFT CYLINDER MOUNT	1-0814
15	2	CIRCLIP	6-0340
16	3	GREASE NIPPLE	6-0000
17	1	QUICK CONNECTOR SET	6-0761
18	1	HYDRAULIC HOSE 19" LG.	1-0858
19	1	HYDRAULIC HOSE 12 FT LG.	2-0602
20	1	HYDRAULIC CYLINDER ASSEMBLY	4-0199
21	1	CYLINDER PIN	1-0861
22	6	COTTER PIN 1/8"-1 1/2" LG.	6-0978
23	1	OVERRIDE SAFETY CAM	2-0819
24	1	SPRING PIN 1/4" X 1 1/2" LG.	6-0745
25	4	UNI-TORQUE LOCK NUT 1"-8UNC	6-1105
26	4	FLAT WASHER 1" I.D.	6-1106
27	4	NEOPRENE STRIP	6-0993
28	2	HINGE PIN	1-0857
29	2	BUSHING	6-0795
31	1	SCISSOR ASSEMBLY	4-0203
32	2	KEEPER WASHER	1-0725
33	2	SPRING PIN 3/16" X 2" LG.	6-0146
34	2	SCISSOR PIN	1-0838
35	1	DECAL	6-0762
36	2	PIN	1-0837
37	2	SPRING PIN 3/16" X 1 1/4" LG.	6-0749
38	4	WASHER 7/8" I.D.	6-0725
39	4	BEARING	6-0751
40	2	ROLLER	1-0807
41	1	ROLLER ASSEMBLY KIT	0-0191
42	2	TRACK ROLLER SHAFT	1-0823
43	2	TRACK ROLLER (UPPER)	6-0750
44	4	CIRCLIP	6-0752
45	1	ALI PLATE	6-0398
46	1	SAFETY LOCK MECHANISM	3-0352
47	1	ETL/ALI STICKER	6-0996
48	1	90° ELBOW 3/8" NPT M. x 3/8" NPT F.	6-1380

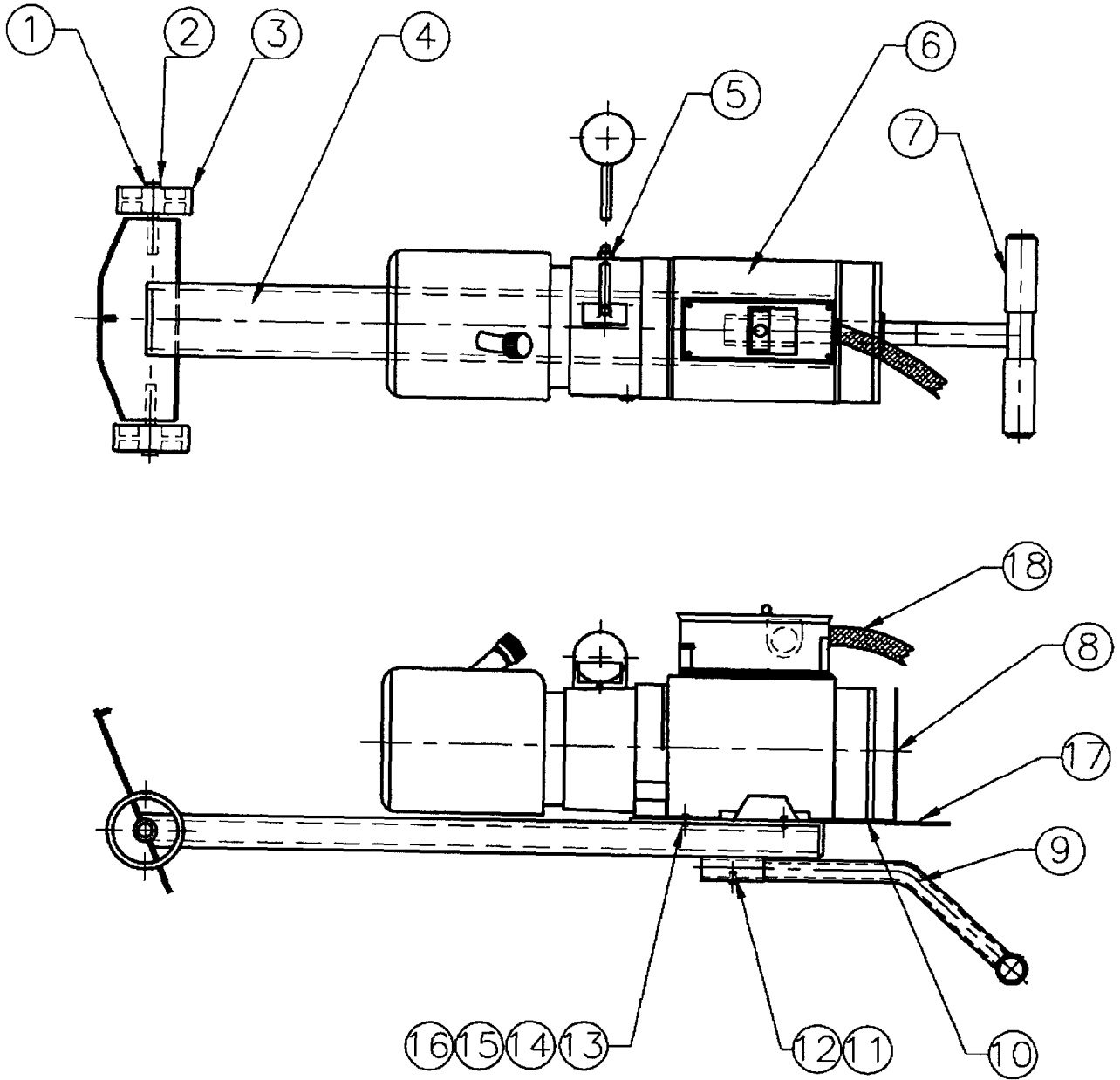
# HYDRAULIC CYLINDER ASSEMBLY



## HYDRAULIC CYLINDER ASSEMBLY - PARTS LIST

ITEM NO.	QTY.	DESCRIPTION	PART NO.
1	1	CYLINDER TUBE WELDMENT	3-0350
2	1	7/8"-9UNC HEX LOCKNUT	6-0631
3	1	WASHER, 7/8" I.D.	1-0809
4	1	PISTON SEAL KIT	0-0181
5	1	PISTON	2-0586
6	1	"O" RING	6-0656
7	1	PISTON ROD	2-0832
8	1	BEARING	6-0976
9	1	ROD CLEVIS	2-0833
10	1	90° VELOCITY FUSE ASS'Y	1-1726
11	1	ROD SEAL	6-0754
12	1	"O" RING	6-0756
13	1	GLAND	2-0587
14	1	WIPER	6-0001
15	1	CIRCLIP	6-0755
16	1	GLAND SEAL KIT	0-0183

# POWER PACK TOW CART

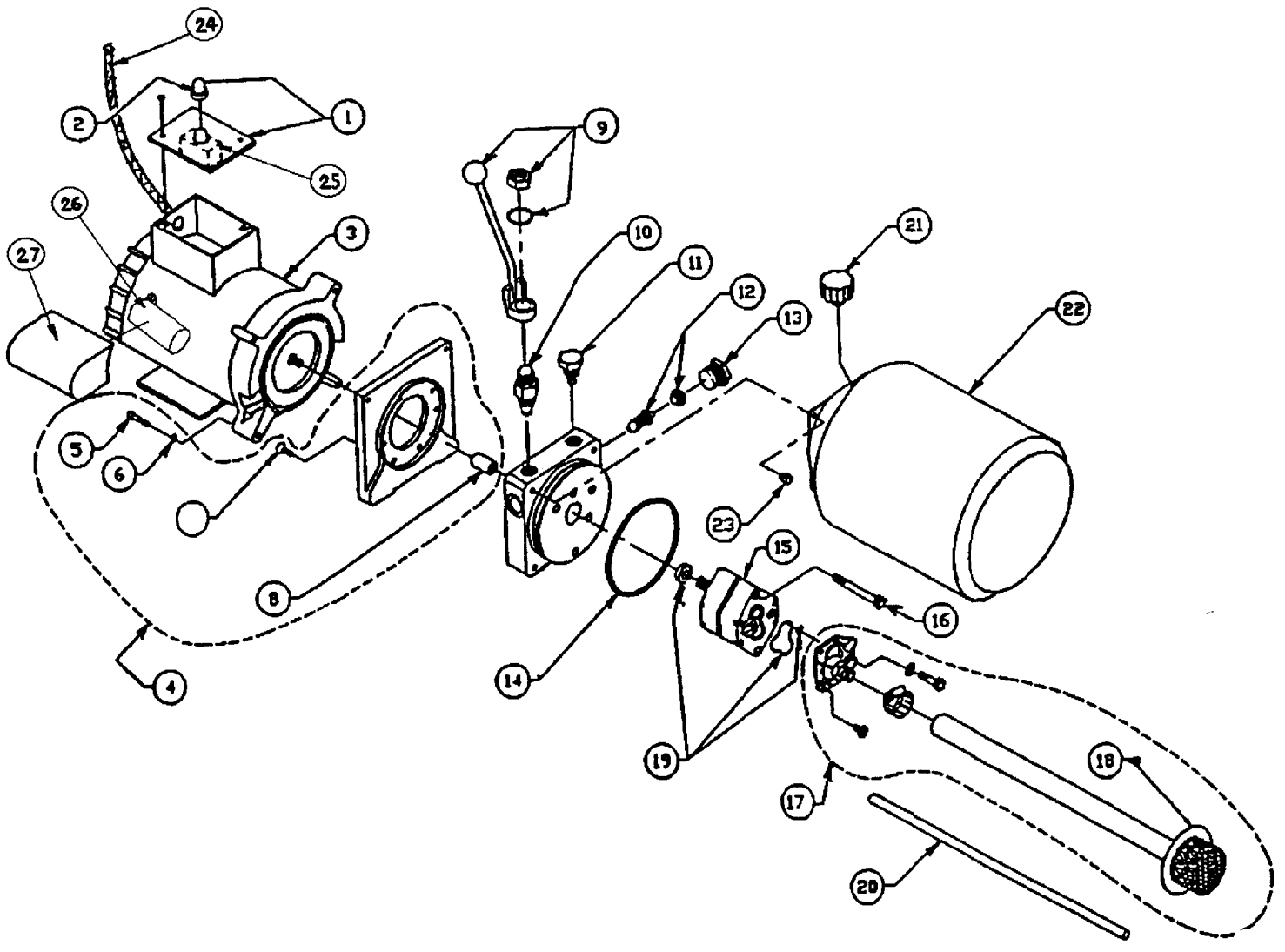


## POWER PACK TOW CART - PARTS LIST

ITEM NO.	QTY.	DESCRIPTION	PART NO.
1	2	FLAT WASHER 1/2" I.D.	6-0063
2	2	COTTER PIN 1/8" X 1" LG.	6-0267
3	2	WHEEL	6-0753
4	1	STAND WELDING	4-0207
5	1	ADAPTER-MACHINED W/ ORIFICES (.035"DIA)	1-1063
6	1	POWER PACK 115V 3/4 HP*	6-0757
7	2	GRIP HANDLE	6-0758
8	1	DECAL "OPERATING INSTRUCTIONS"	6-0759
9	1	"T" HANDLE	3-0408
10	1	BRACKET	1-0853
11	1	HEX BOLT 1/4"-20UNC X 3/4" LG.	6-0178
12	1	LOCKWASHER 1/4" I.D.	6-0056
13	4	HEX BOLT 5/16"-18UNC X 3/4" LG.	6-0423
14	4	LOCKWASHER 5/16" I.D.	6-0674
15	4	FLAT WASHER 5/16" I.D.	6-0295
16	4	HEX NUT 5/16"-18UNC	6-0294
17	1	ALI PLACARD	6-0990
18	1	PLUG	6-1488
*	1	COMPLETE TOWCART W/ ELECTRIC POWER PACK	4-0206
**	1	COMPLETE TOWCART ASS'Y	4-0644

-SEE NEXT PAGE FOR THE POWER PACK ASSEMBLY

POWER PACK

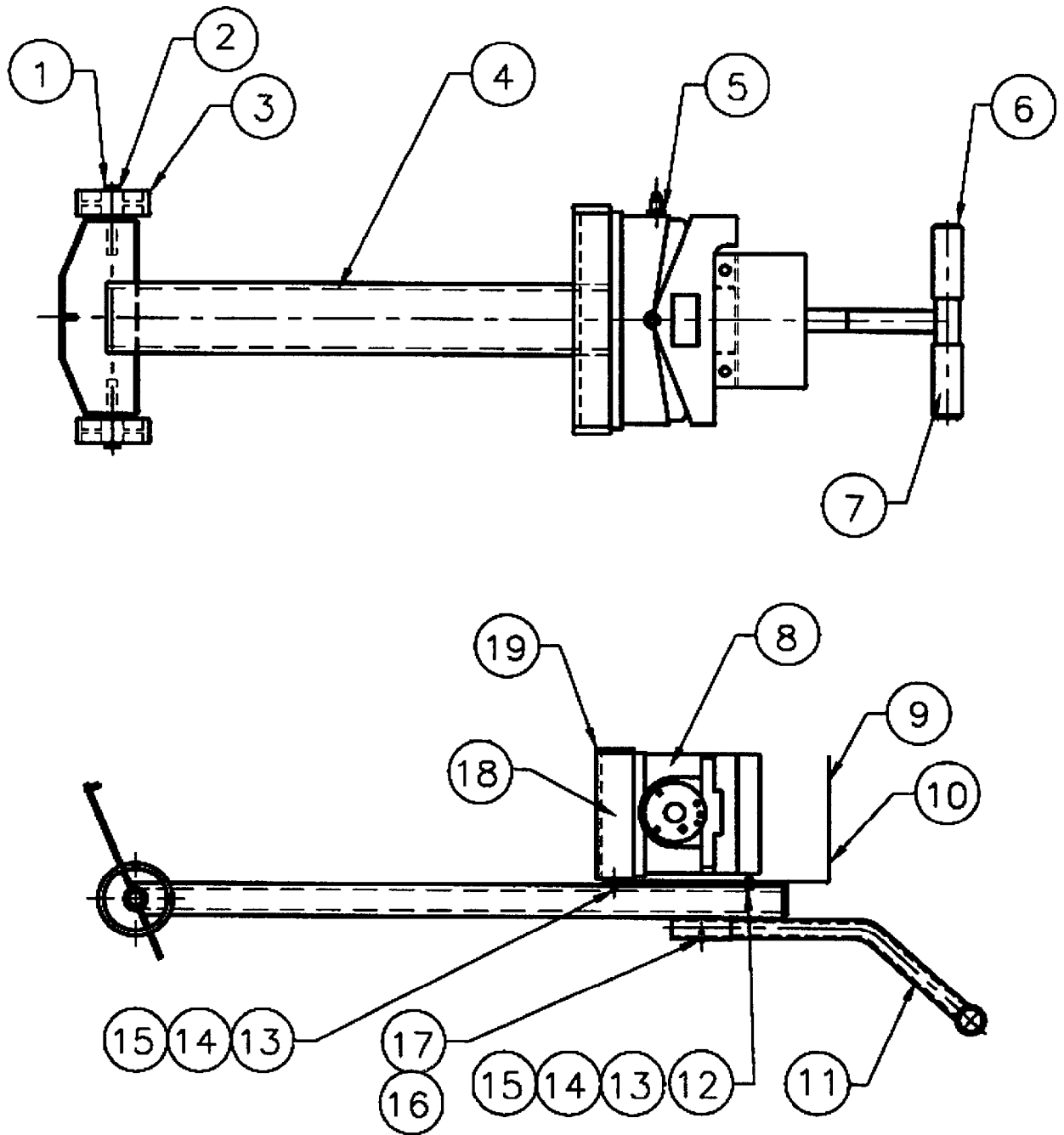


## POWER PACK - PARTS LIST

ITEM NO.	QTY.	DESCRIPTION	PART NO.
1	1	MICROSWITCH	6-0881
2	1	MICROSWITCH BOOT	6-1084
3	1	MOTOR AC 115V 3/4 HP	6-0874
4	1	MOTOR ADAPTER KIT	0-0197
5	4	SOCKET HD. SCREW 1/4" - 20 X 1 5/8" LG.	6-1085
6	4	LOCKWASHER 1/4" I.D.	6-0056
7	4	ALLEN FLAT HD. SCREW 1/4" - 20 X 3/4" LG.	6-1086
8	1	COUPLING	6-0774
9	1	RELEASE BRACKET & HANDLE ASS'Y	6-0776
10	1	VALVE CARTRIDGE RELEASE	6-0880
11	1	VALVE CARTRIDGE CHECK	6-1087
12	1	FIXED RELIEF VALVE	6-1088
13	1	RELIEF VALVE CAP	6-1089
14	1	RESERVOIR "O" RING	6-0875
15	1	PUMP ASSEMBLY	6-0876
16	2	PUMP MOUNTING BOLT	6-1090
17	1	INLET PLUMBING KIT	0-0198
18	1	INLET HOSE/FILTER ASS'Y	6-0884
19	1	PUMP "O" RING KIT	0-0199
20	1	RETURN TUBE	6-0879
21	1	BREATHER - FILLER CAP	6-0873
22	1	RESERVOIR	6-0877
23	4	RESERVOIR SCREW	6-1091
24	1	ELECTRICAL CORD ASSEMBLY	6-0889
25	1	MICROSWITCH	6-0461
26	1	CAPACITOR	6-1139
27	1	CAPACITOR COVER	6-1140



# AIR POWER PACK TOW CART



## POWER PACK TOW CART - PARTS LIST

ITEM NO.	QTY.	DESCRIPTION	PART NO.
1	2	COTTER PIN 1/8" X 1" LG.	6-0267
2	2	FLAT WASHER 1/2" I.D.	6-0063
3	2	WHEEL	6-0753
4	1	STAND	4-0207
5	1	RESTRICTOR ASS'Y (ADAPTER W/ ORIFICE)	1-1745
6	2	PLASTIC CAP	6-0956
7	2	GRIP HANDLE	6-0758
8	1	AIR HYDRAULIC PUMP "HM45D"	6-0787
9	1	DECAL "OPERATING INSTRUCTIONS"	6-0759
10	1	BRACKET	1-0853
11	1	"T" HANDLE	3-0408
12	2	HEX. NUT 5/16"-18UNC	6-0294
13	4	FLAT WASHER 5/16" I.D.	6-0295
14	4	LOCKWASHER 5/16" I.D.	6-0674
15	4	HEX BOLT 5/16"-18UNC X 3/4" LG.	6-0423
16	1	HEX BOLT 1/4"-20UNC X 3/4" LG.	6-0187
17	1	LOCKWASHER 1/4" I.D.	6-0056
18	1	SOCKET HEAD SCREW 1/4" -20 X 1/2" LG.	6-0438
19	1	AIR PUMP PAN	1-0905
*	1	COMPLETE TOWCART W/ AIR POWER PACK	4-0286
**	1	COMPLETE TOWCART ASS'Y	4-0645